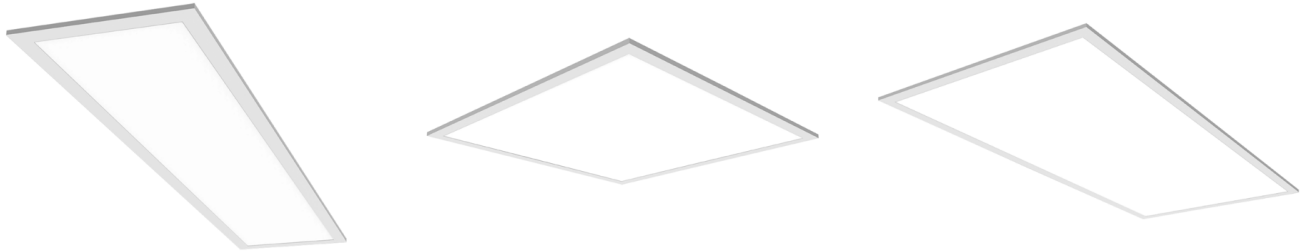


LED FLAT PANEL

Wattage Selectable and Color Temperature Selectable



PRODUCT DESCRIPTION:

A seamless replacement for 1'x4', 2'x2' and 2'x4' fluorescent fixtures, Arkon's next-generation LED Flat Panels are designed to lay in drop ceilings in offices, schools, and healthcare applications. The panels produce highly efficient, uniform illumination, and offer the versatility of field-selectable color temperatures and wattages to suit various application needs. The panels are fully dimmable, and may be combined with motion sensors for further energy savings. The backlit panels deliver all the benefits of LED technology, including a long life with high lumen maintenance, reduced energy consumption and lower maintenance costs.



FEATURES:

- Field Wattage and CCT Selectable
- Fixed Wattage and CCT units also available
- 0-10V Dimmable
- Voltage: 120-277V
- L70 Lumen Maintenance $\geq 100,000$ at 40°C (104°F)
- On EM mode, the fixture output a minimum of 700 lumens for 90 minutes, when fully charged

WARRANTY:

5-year standard warranty

ORDER STRUCTURE

FAMILY	SIZE	PANEL TYPE	WATTAGE SELECTABLE	CCT SELECTABLE	BATTERY BACKUP	SENSOR
APFPL= Flat Panel	14= 1'x4'	G4= Backlit	20W= 20W, 25W, 30W	CS= CCT Selectable 3500K, 4000K, 5000K	[BLANK]= None EM ² = Battery Backup	[BLANK]= None MS ² = Bi-Level Sensor
	22= 2'x2'		18W= 18W, 27W, 36W			
	24= 2'x4'		27W= 27W, 36W, 45W			
	SIZE		WATTAGE	CCT	BATTERY BACKUP	SENSOR
	22 ¹ = 2'x2'		30W ¹ = 30W	40= 4000K	[BLANK]= None	[BLANK]= None
	24 ¹ = 2'x4'		40W ¹ = 40W			

NOTES:

¹ Only 2'x2' 30W and 2'x4' 40W are available in 4000K

² EM and MS not available for dedicated SKUs

SPECIFICATIONS

SPECIFICATIONS		APFPL-14		
ITEM	SPECIFICATION	DETAILS		
GENERAL PERFORMANCE	Size	1'X4'		
	Wattage (W) (Field Selectable)	20W*	25W	30W
	Lumen (lm)	2540, 2600*, 2590 lm	3020, 3130, 3080 lm	3600, 3790, 3700 lm
	Efficacy	126, 133*, 126 lm/w	121, 130, 122 lm/w	118, 128, 119 lm/w
	CRI	≥80		
	Color Temp (K)	3500K, 4000K*, 5000K	3500K, 4000K, 5000K	3500K, 4000K, 5000K
	L70 Lumen Maintenance (Hours)	≥100,000 Hrs		
ELECTRICAL	PF	> 0.9		
	Voltage	120-277V		
	Comp Dimmer	Designed to be compatible with most 0-10V dimmers		
PHYSICAL	Mounting	Surface mount, Flange mount and Aircraft cables		
	Operating Temp	-4°F to 104°F		
	Humidity	20% to 85% RH non-condensing		
CERTIFICATION	Certification	ETL Listed, FCC		
	Material Usage	RoHS Compliant; No Mercury		
	Environment	Damp/ Dry Location		

* Factory default wattage/CCT is 20W/4000K.

NOTE:

1. Other wattages and CCTs are adjusted in the field by installers.

SPECIFICATIONS		APFPL-22			APFPL-22-30
ITEM	SPECIFICATION	DETAILS			
GENERAL PERFORMANCE	Size	2'X2'			
	Wattage (W) (Field Selectable)	18W*	27W	36W	30W
	Lumen (lm)	2000, 2040*, 2080 lm	2900, 3040, 3030 lm	3820, 4000, 4000 lm	3390 lm
	Efficacy	113, 119*, 117 lm/w	110, 119, 113 lm/w	107, 118, 112 lm/w	113 lm/W
	CRI	≥80			
	Color Temp (K)	3500K, 4000K*, 5000K	3500K, 4000K, 5000K	3500K, 4000K, 5000K	4000K
	L70 Lumen Maintenance (Hours)	≥100,000 Hrs			
ELECTRICAL	PF	> 0.9			
	Voltage	120-277V			
	Comp Dimmer	Designed to be compatible with most 0-10V dimmers			
PHYSICAL	Mounting	Surface mount, Flange mount and Aircraft cables			
	Operating Temp	-4°F to 104°F			
	Humidity	20% to 85% RH non-condensing (Information needs to be confirmed)			
CERTIFICATION	Certification	ETL Listed, FCC			
	Material Usage	RoHS Compliant; No Mercury			
	Environment	Damp/ Dry Location			

* Factory default wattage/CCT is 18W/4000K.

NOTE:
1. Other wattages and CCTs are adjusted in the field by installers.

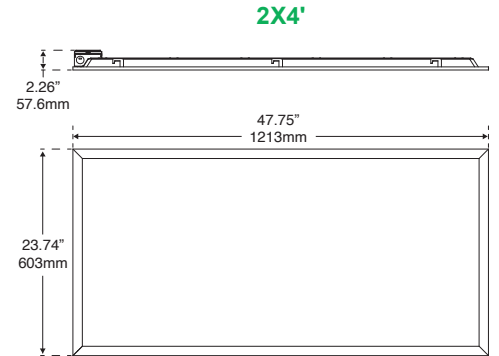
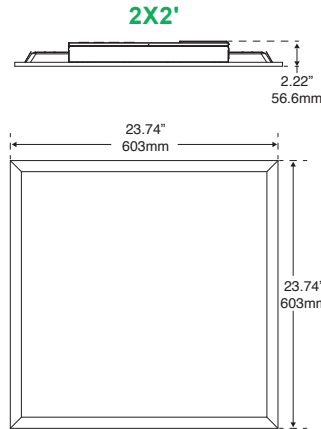
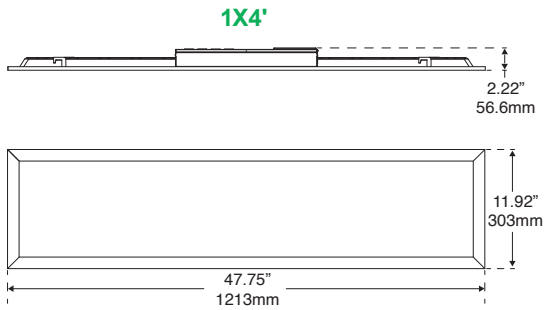
SPECIFICATIONS		APFPL-24			APFPL-24-40
ITEM	SPECIFICATION	DETAILS			
GENERAL PERFORMANCE	Size	2'X4'			
	Wattage (W) (Field Selectable)	27W*	36W	45W	40W
	Lumen (lm)	3140, 3260*, 3220 lm	4090, 4030, 4170 lm	4920, 5200, 5040 lm	4760 lm
	Efficacy	118, 126*, 121 lm/w	114, 124, 115 lm/w	111, 121, 111 lm/w	114 lm/W
	CRI	≥80			
	Color Temp (K)	3500K, 4000K*, 5000K	3500K, 4000K, 5000K	3500K, 4000K, 5000K	4000K
	L70 Lumen Maintenance (Hours)	≥100,000 Hrs			
ELECTRICAL	PF	> 0.9			
	Voltage	120-277V			
	Comp Dimmer	Designed to be compatible with most 0-10V dimmers			
PHYSICAL	Mounting	Surface mount, Flange mount and Aircraft cables			
	Operating Temp	-4°F to 104°F			
	Humidity	20% to 85% RH non-condensing (Information needs to be confirmed)			
CERTIFICATION	Certification	ETL Listed, FCC			
	Material Usage	RoHS Compliant; No Mercury			
	Environment	Damp/ Dry Location			

* Factory default wattage/CCT is 27W/4000K.

NOTE:

1. Other wattages and CCTs are adjusted in the field by installers.

COLOR AND WATTAGE SELECT MODELS



These models come with optional J-Box in every fixture for ease of wiring.

